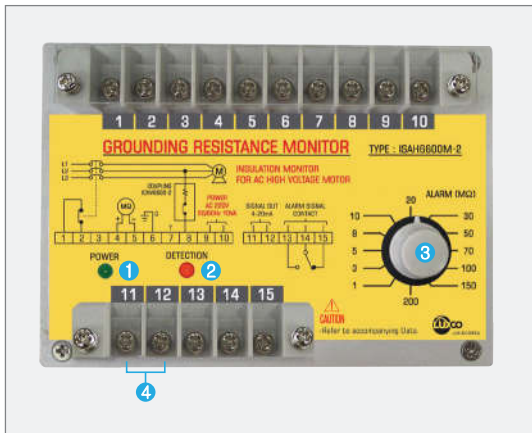


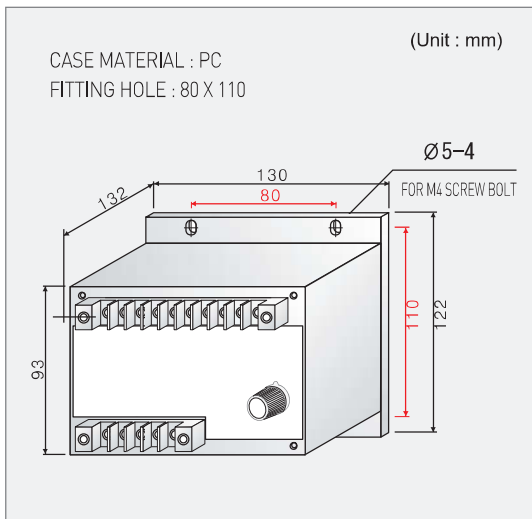


### FRONT VIEW



- ① Power indicating lamp (Green)
- ② Alarm indicating lamp (Red)
- ③ Alarm setting (MΩ)
- ④ 4~20mA power output terminal (Apply only to ISAH6600M-1/2)

### DIMENSION



### SPECIFICATIONS

MODEL	ISAH-6600-1	ISAH-6600-2
	ISAH-6600M-1	ISAH-6600M-2
AUX. POWER RATING	AC 110V 50/60Hz	AC 220V 50/60Hz
RANGE OF POWER VARIATION	AC 85-135V	AC 170-270V
MAX. POWER CONSUMPTION	10VA	
INSULATION MONITORING RANGE	$\infty \sim 500 \sim 100 \sim 50 \sim 0\text{M}\Omega$	
INSULATION VOLTAGE RANGE	AC 3P 0~7590V (max.)	
DETECTING METHOD OF INSULATION	Connect With Coupling (ICHV6600)	
DETECTOR ACCURACY	$\pm 5\%$ (1~200M $\Omega$ ) $\pm 10\%$ (under 1M $\Omega$ , 200M $\Omega$ above)	
ALARM SETTING RANGE	1 ~ 200M $\Omega$ (select by 12 steps selector switch) (1-3-5-8-10-20-30-50-70-100-150-200)	
ALARM DELAY TIME	3.0sec. ( $\pm 0.5\text{sec.}$ ) Reset time : 0.5sec. or less	
ALARM SIGNAL OUTPUT	5A (resistive) 2A (inductive) 30V DC 5A (resistive) 2A (inductive p.f=0.4) 125V AC 3A (resistive) 1A (inductive p.f=0.4) 250V AC	
AMBIENT TEMP.	-20°C ~ +60°C	
STORAGE TEMP.	-40°C ~ +65°C	
DIELECTRIC STRENGTH	Between terminal to cabinet 2.5KV / 1min Between 9, 10 to 6, 8 terminal 1.5KV / 1min	
REMOTE SIGNAL (MICOM CONTROL)	4 ~ 20mA Current loop 0 ~ 500M $\Omega$ to 4 ~ 20mA (Apply only ISAH6600M-1/2)	
METER	Refer to page 45	
TEST BUTTON	Meter center (100M $\Omega$ ) Indication	

### CONNECTION DIAGRAM

