

# S80 Series



## PRODUCT SPECIFICATION

S80R | S80U

**Materials** Lens-AS, Housing-ABS,  
Reflector-Heat resistant ABS  
**Ambient operating temperature** -20°C to +50°C  
**Volume** Max.90dB at 1m  
**Protection rating** IP44  
**Revolving speed** 120-140RPM

- Ø80mm bulb revolving warning lights
- Adopts a special Power transmission system that reduces noise and wear
- Can select between standard and built-in buzzer type depending on installation environment



S80R

### S80R / S80U Bulb Revolving Warning Light

Model number	Voltage	Current	Bulb			Certificates	Weight	Color
			Spec	Standard	Parts no			
S80R	DC12V	530mA	12V5W	T16x35 15S	5	CE	0.28kg	● R-Red
	DC24V	370mA	24V5W	T16x35 15S	6		0.28kg	● A-Amber
S80U	AC110V	80mA	12V5W	T16x35 15S	5		0.48kg	● G-Green
	AC220V	40mA	12V5W	T16x35 15S	5		0.48kg	● B-Blue

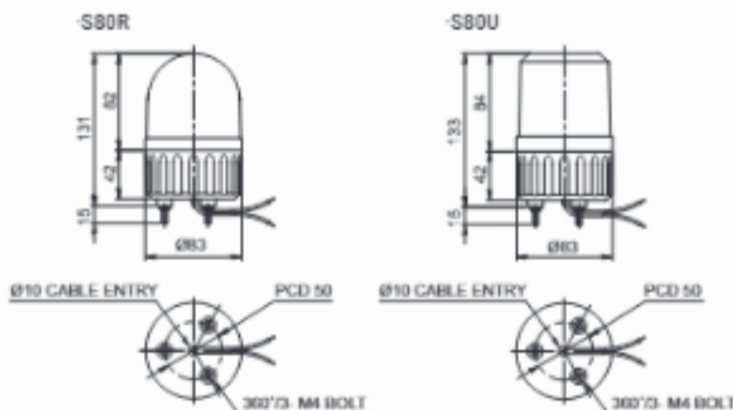
※ CE compliant: DC12V, DC24V



S80U

### Technical Diagram

Unit: mm



### Wiring Instructions

- External Power line - UL1015 AWG18(0.75sq) x 2C 400mm
- DC Type: Black output line is negative(-)
- For the wiring of 110 & 220VAC combination model, 110VAC model is connected to black and white wires while 220VAC model is connected to black and red wires.

### Customization

- Wall mount bracket options: Bracket structure allows for threading through the bracket hole or into the wall mount.
- AC compatible type: Could select AC110V or AC220V by connecting 2 Power lines of 3 wires each.



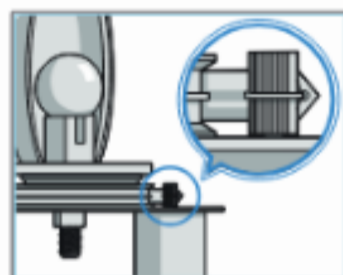
Wall Mount Bracket TWS80



Wall Mount Bracket TWA80

### Ordering Specification

S80U	BZ	220	R
[Model number]	[Buzzer option]	[Voltage]	[Color]
S80R	(None)	12-DC12V	● R-Red
S80U	- No buzzer	24-DC24V	● A-Amber
	BZ	110-AC110V	● G-Green
	- Built-in buzzer	220-AC220V	● B-Blue



V belt type Power transfer system feature

Designed to minimize the abrasion of the belt, and to efficiently deliver torque from the drive shaft to the reflector.