

# Electronic Sounders for Vessels and Heavy Industrial Applications

## SEWN30 / SEWN50 Series



Electronic sounders for vessels and heavy industrial applications featuring excellent sealing, corrosion resistance, and durability

### PRODUCT SPECIFICATION

SEWN30 | SEWN50

**Materials** Housing-Al,  
Horn housing-PC(SEWN30)/STS316L(SEWN50)  
**Ambient operating temperature** -30°C to +50°C  
**Protection rating** IP66  
**Standard Housing color** MUNSELL No. 7.5BG 7/2  
**Cable entry** 1/2" PF

- Electronic Sounder with tightly sealed structure has excellent durability. Suitable for vessels, steel industry, and outdoor plant applications
- Can select between a variety of mounting options (wall mount type, self stand type, and terminal box type)
- Aluminum housing provides excellent durability
- A variety of sound selection between warning sounds, alarm sounds, melodies and voice messages to fit your sophisticated application needs
- Can adjust sound volume with the dial built inside the unit
- Terminals located inside the terminal box or product



**SEWN30E**  
(Max.114dB)



**SEWN30L**  
(Max.114dB)



**SEWN30T**  
(Max.114dB)

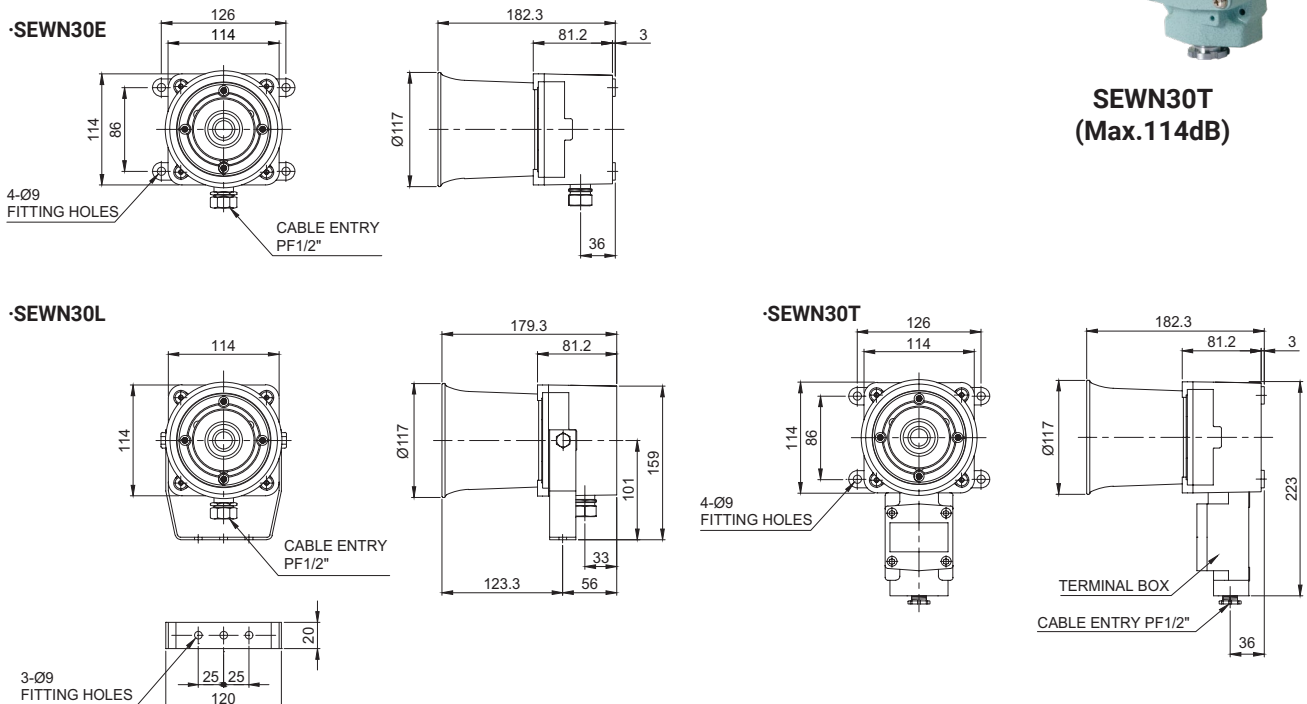
### SEWN30 Series Electronic Sounders, Max.118dB

Model number	Voltage	Current	Sound pattern and volume	Certificates	Weight
SEWN30E Wall mount	DC12V	2.2A	·WS-5 Warning sounds : Max.114dB	CCS CE	SEWN30E DC-1.76kg AC-2.11kg
SEWN30L Self stand	DC24V	1A	·WP-5 Special warning sounds : Max.114dB		SEWN30L AC-1.74kg AC-2.13kg
SEWN30T Wall mount with terminal box	AC110V AC220V	260mA 130mA	·WM-5 Melodies: Max.110dB ·WA-5 Alarms: Max.114dB ·WV-5 Customizable voices : 108-113dB		SEWN30T DC-2.23kg AC-2.58kg

- ※ Please refer to [Sound tone and combination for standard product] on this catalogue for detailed sound tone specification
- ※ CE compliant : AC220V, DC24V
- ※ CCS compliant : SEWN30E only
- ※ Max.built-in volume feature is based on WS, WP-Ch1 / WM-Ch4 / WA-Ch4.
- ※ In case of customized WV 5 tone type, there may be difference of volume depending on user's audio file type.

### Technical Diagram

Units: mm



# SEWN30 / SEWN50 Series

## SEWN50 Series Electronic Sounders, Max.120dB



**SEWN50E**  
(Max.120dB)



**SEWN50L**  
(Max.120dB)



**SEWN50T**  
(Max.120dB)

Model number	Voltage	Current	Sound pattern and volume	Certificates	Weight
SEWN50E Wall mount	DC12V	2.5A	·WS-5 Warning sounds : Max.120dB	CE	SEWN50E DC-4.22kg AC-4.52kg
SEWN50L Self stand	DC24V	1.18A	·WP-5 Special warning sounds : Max.120dB		SEWN50L AC-4.20kg AC-4.50kg
SEWN50T Wall mount with terminal box	AC110V AC220V	300mA 160mA	·WM-5 Melodies: Max.115dB ·WA-5 Alarms: Max.118dB ·WV-5 Customizable voices : 109-117dB		SEWN50T DC-4.65kg AC-4.95kg

※ Please refer to [Sound tone and combination for standard product] on this catalogue for detailed sound tone specification

※ CE compliant : DC24V

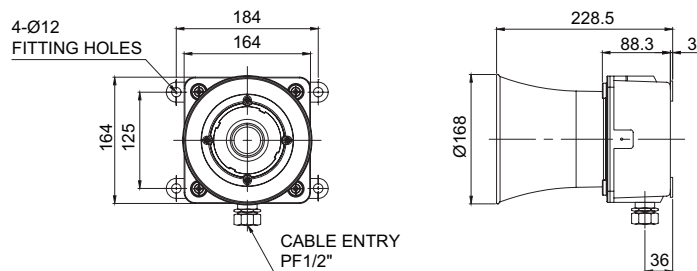
※ Max.built-in volume feature is based on WS, WP-Ch1 / WM-Ch5 / WA-Ch5.

※ In case of customized WV 5 tone type, there may be difference of volume depending on user's audio file type.

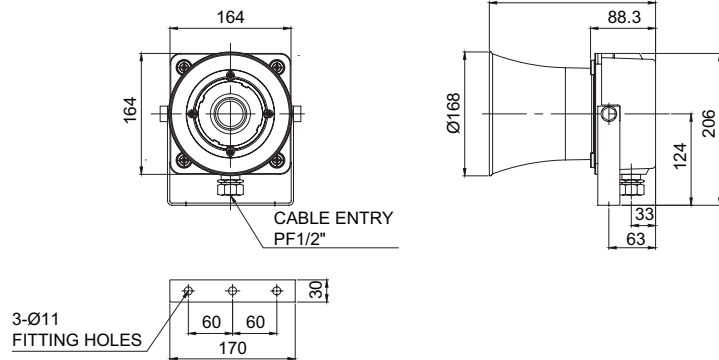
### Technical Diagram

Units: mm

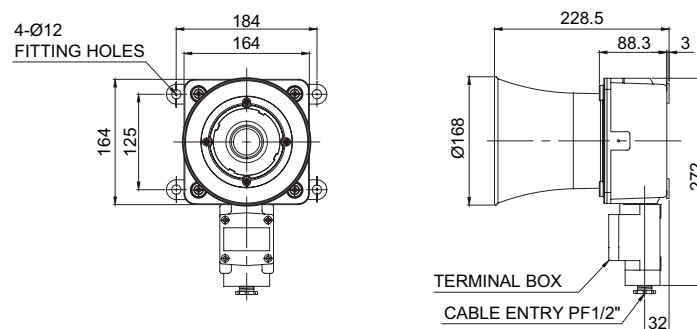
#### ·SEWN50E



#### ·SEWN50L



#### ·SEWN50T



SEWN50E/ SEWN50L model uses flexible connector at cable entry and SEWN50T model uses 15C nipple at cable entry.  
Cable gland is customizable



Flexible connector



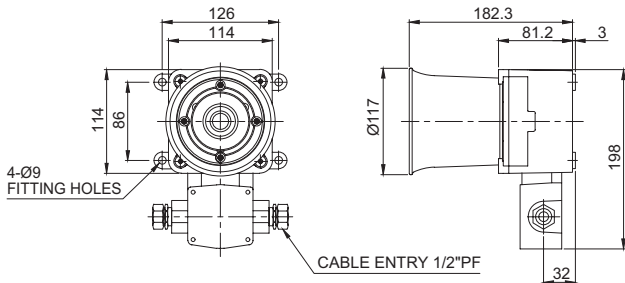
15C nipple



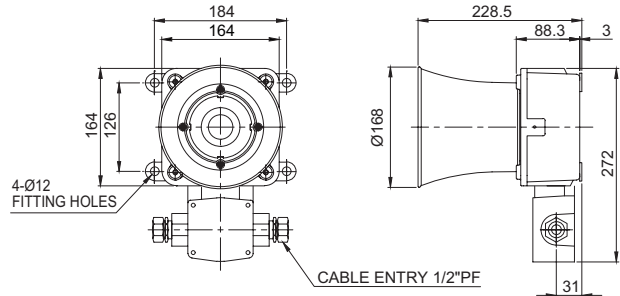
## 2 Cable Entries Terminal Box Type Technical Diagram

Units: mm

### ·SEWN30-2T

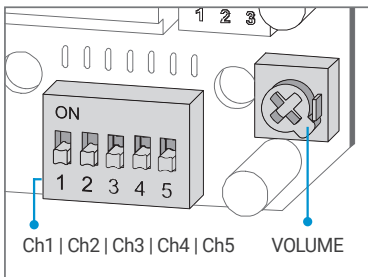


### ·SEWN50-2T

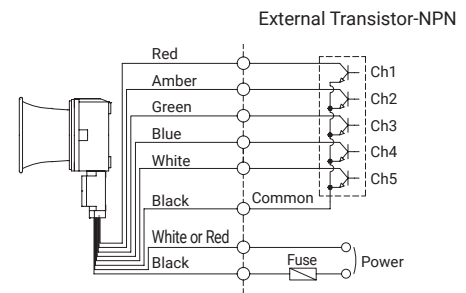
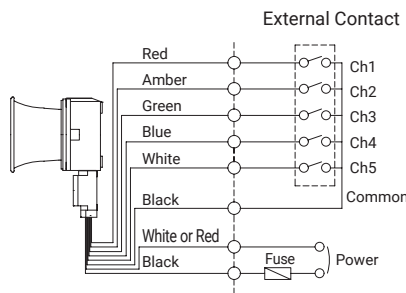


## Sound Selection Instructions and Wiring

· Standard Type: Select sound using the switch inside of the unit. When you turn on the dip switch for each channel, the designated sound will be played.



### ·SEWN30E / SEWN30L / SEWN30T-DC/AC ·SEWN50E / SEWN50L / SEWN50T-DC/AC



- Customized type : Select sound using the external contact(LC)  
You can select the audible sound pattern using external contacts or transistor with a customized external sound line(Model number : -LC)
- This product can be wired regardless of polarity.

## Customization



Brass housing product



2 cable entries terminal box type

- Cable gland available
- 3/4"PF cable entry (Standard : 1/2"PF).
- 2 cable entries terminal box: Customized terminal box available with two cable entries in opposite directions(Model number : SEWN30-2T, SEWN50-2T)
- External threading of sound line (Model number : -LC)
- Brass housing product: Brass housing products provide improved corrosion resistance.
- ※ Color will be MUNSSELL No. 7.5BG 7/2 when released.
- Horn housing materials: STS316L

## Ordering Specification

<b>SEWN30T</b>	-	<b>WS</b>	-	<b>220</b>	-	<b>LC</b>
[Model number]		[Sound]		[Voltage]		[sound selection]
SEWN30E SEWN30L SEWN30T SEWN50E SEWN50L SEWN50T		WS-Warning sounds WP-Special warning sounds WM-Melodies WA-Alarms WV-Customizable voices		12-DC12V 24-DC24V 110-AC110V 220-AC220V		None-Built-in switch LC-External contact