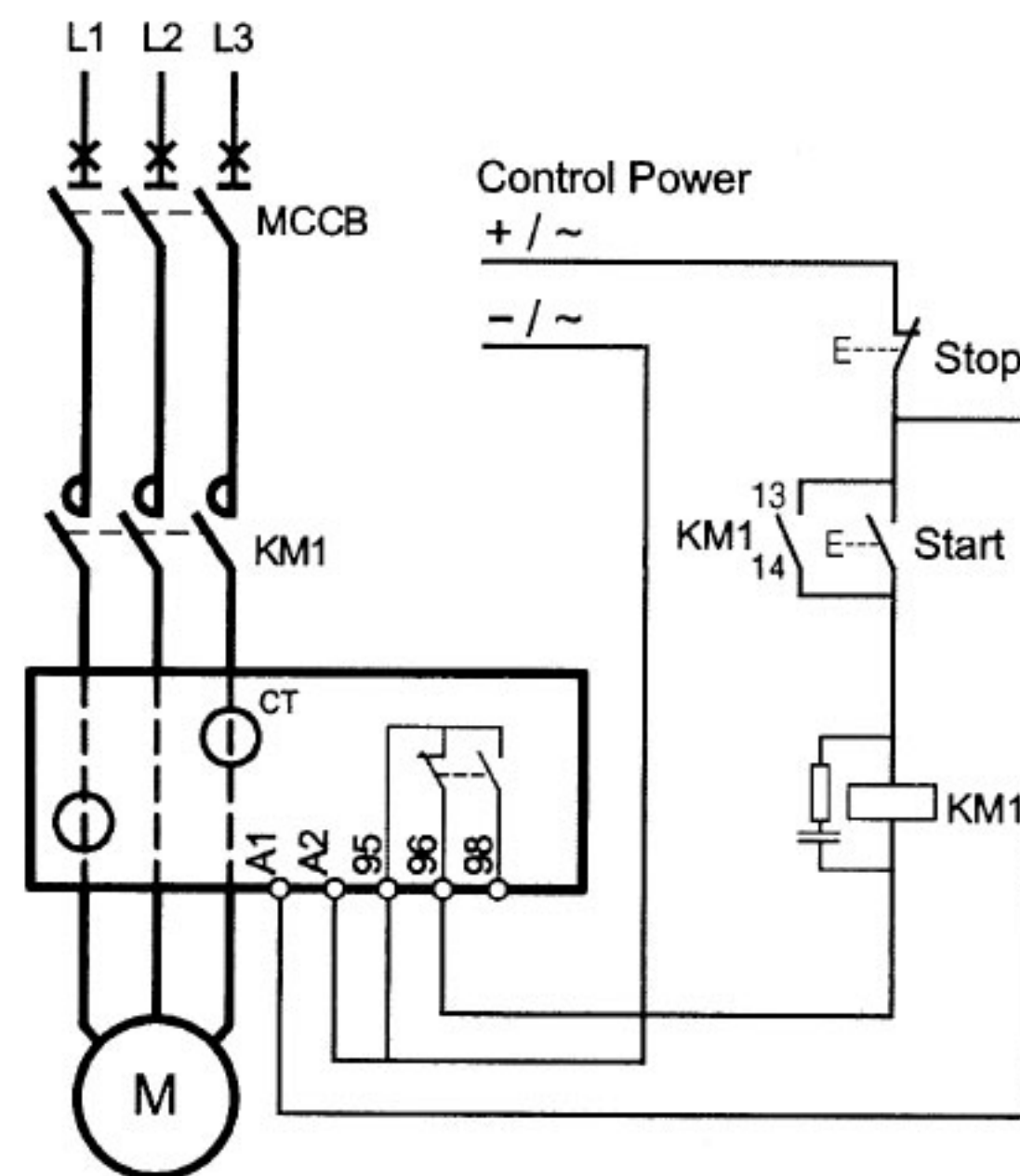


General

EOCR-SE2 series overload and phase lost relays are designed to prevent the failures originated from motor heat..



	95 - 96	95 - 98
R type	Close	Open
N type	Open	Close

Connection diagram for EOCR-SE2

Usage of Relay and working principle

- 1) Set trip delay time(O-Time knob) to desired trip time.
- 2) Set load currents(LOAD knob) at the rated full load or desired currents.
- 3) With connections made and control power on, depress TEST button and hold. Verify the red LED illuminates and the internal relay should switch contacts after O-Time. Depress RESET button.
- 4) Start the motor and notice run-up time. Then, slowly turn the LOAD knob counter clockwise, until the LED flashes, where the 100% of the actual load currents is indicated. Set the LOAD knob to the desired trip currents. 110%~125% setting of running current is recommended.

Maintenance

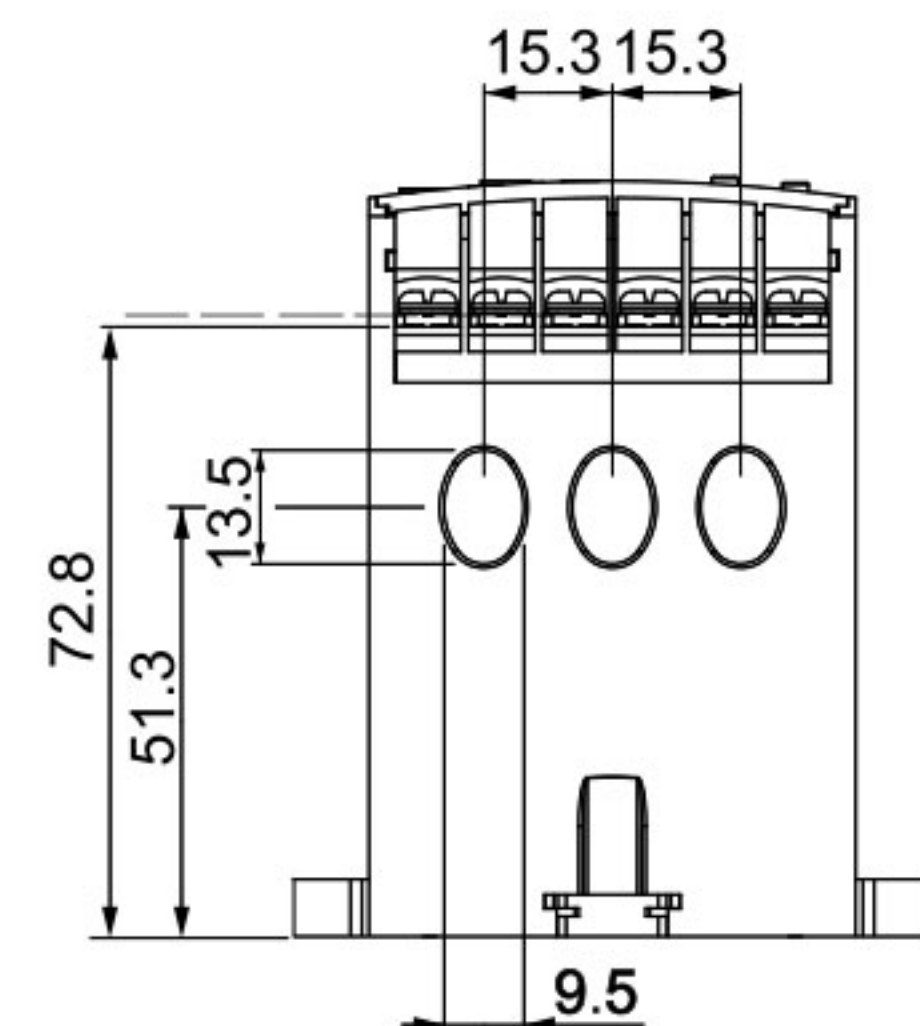
Periodic testing of TEST button is recommended to ensure the full protection and regularly as a preventive maintenance

Warnings

Authorized technical engineers only for installation , maintenance or repair. Adjust the settings according to the electric characteristics of a motor, an inappropriate setting may cause permanent damage on the motor. External filter should be installed to reduce harmonics in an environment where the AC power contains excessive harmonic than IEC standard. No installation in the site may result in accuracy problem, abnormal operation and mal-function.

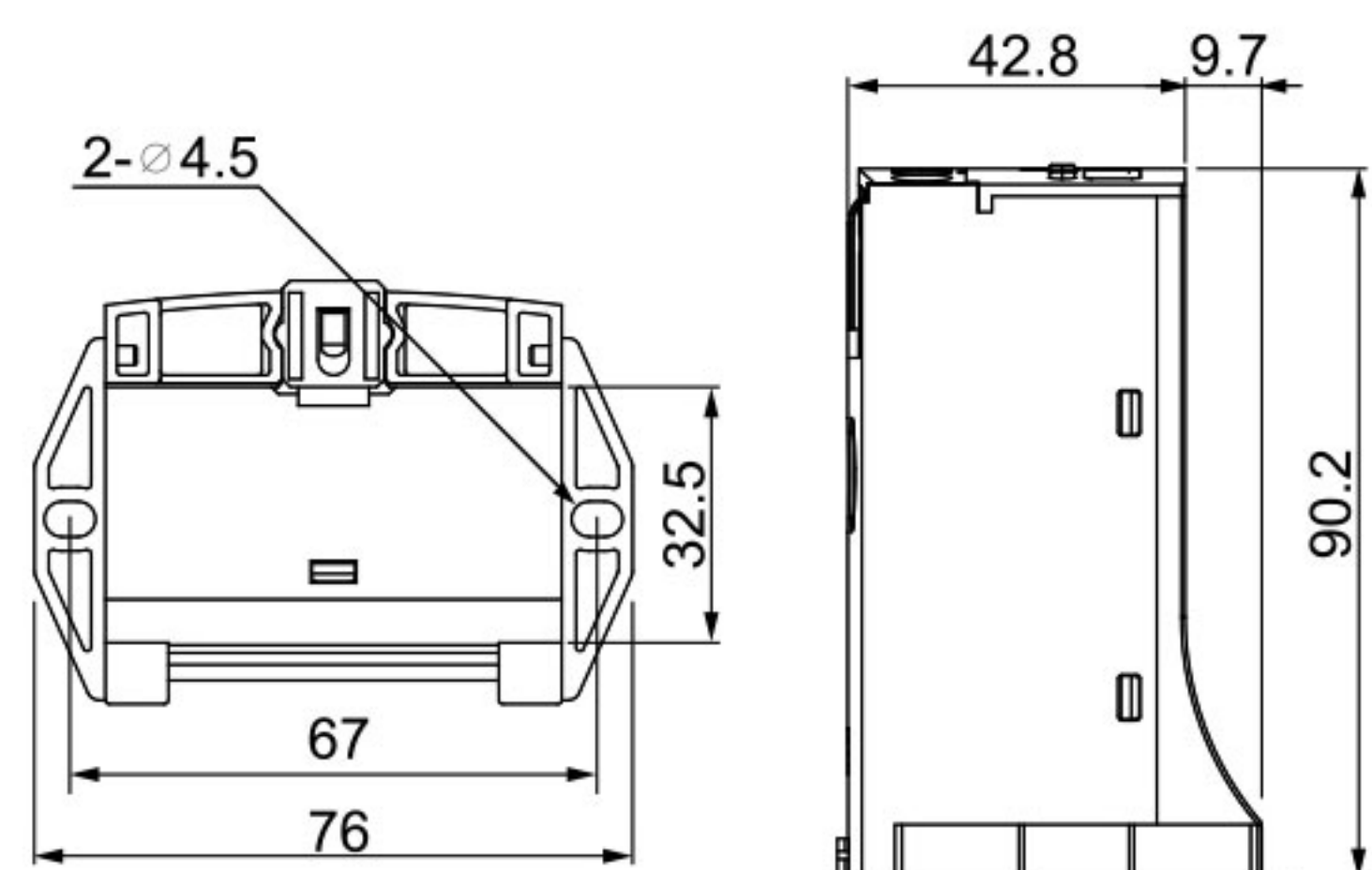
Dimensions for EOCR-SE2

LED Indication	EOCR-SE2	
	PWR(Green)	TRIP(Red)
Power on	On	Off
Normal operation	On	Off
Over-current	On	Blink
Trip	Off	On



Technical Specifications :

- Current Range:: TYPE05) 0. 5-6A, TYPE30) 3-30A, TYPE60) 5-60A
- Operating Voltage (Un): 24-240VAC/DC
- Operating Frequency.....: 50/60Hz
- Operating Power.....: <2W
- Operating Temperature.....: -20°C.....+55°C
- Waiting(t).....: O-Time 0. 2-15s
- Asymmetry Set.....: %±10
- Contact.....: 5A 250V AC Resistive Load
- Connection Diagrams.....: 35mm Din Rail (D) or Pane (P)



DIN Rail & MOUNTING HOLE SIZE

Document Number: EOCR-SE2 (ENG-VN)

