

MULTI INPUT INDICATOR

PRI-3000 SERIES



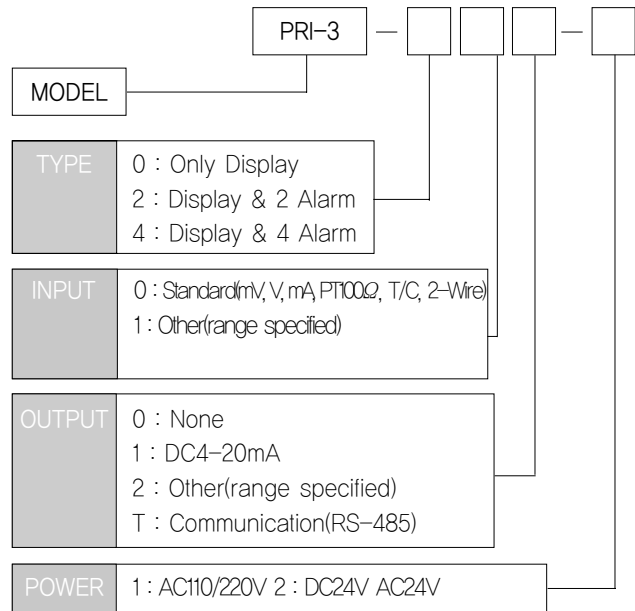
FEATURE

- Universal input mode (mV, V, T/C, RTD, 2wire, mA)
- It is realized high effectiveness and high accuracy use by 16bit A/D converter.
- It contains peak hold function so possible to use various application.
- Relay alarm output selectable(optional)and dead band function contains.
- Isolated current output(4~20mA optional)also possible with scaling function.
- Contain burnout function that give high output and display warning message when sensor line was disconnected by accident or other reasons.

GENERAL SPECIFICATIONS

Power Supply	DC 24V Type AC 24V Type AC Type	DC18V ~ 30V, (ripple 10%)100mA AC12V ~ 26V (50~60Hz), 4VA AC110/220V (50~60Hz) ±10%, 4VA
Display Accuracy	-9999~9999, 7Segment 4 Digit ±0.2% Full Scale, ±1 Digit (25°C ±5°C)	
Input Impedance	V Type mV, V, mA PT100 Ω, T/C Type	400KΩ 1M Ω
Sampling cycle	V Type Pt100 Ω, T/C Type	200ms 400ms
CMRR(Common Mode Rejection Ratio) NMRR(Normal Mode Rejection Ratio) Sensor Power Temp Coefficient Insulation Resistance	140dB or more 50dB or more DC 24V / 30mA (±5% or less) ±0.015% / °C Greater then 100MΩ with DC500V	
Dielectric Strength	Input - Power Output-Power GND - Power	AC2500V AC1000V 1 minute
Operating Temperature / Humidity Storage Temperature / Humidity Dimensions Case Material Weight Mounting	-20~60°C / 90% (N.C) -20~80°C / 95% (N.C) W96×H48×D112(mm) ABS Resin(white) about 400g Panel mounting Type	

MODEL & SUFFIX CODE SELECTION



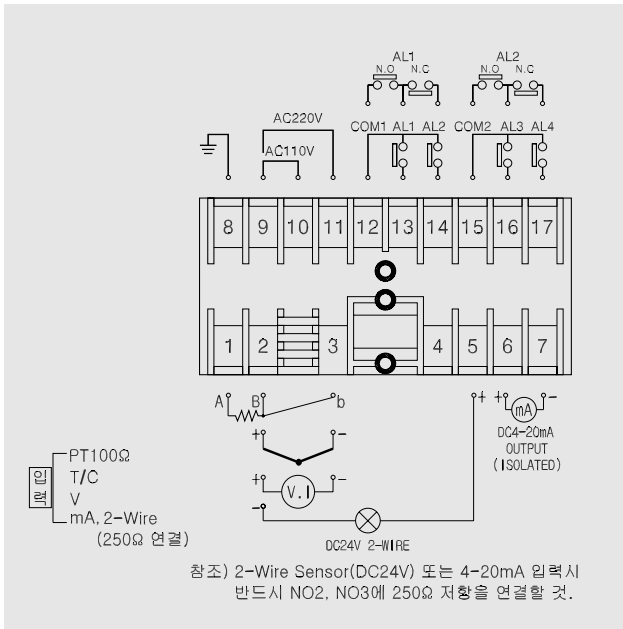
MULTI RANGE INPUT

Free input selection by code

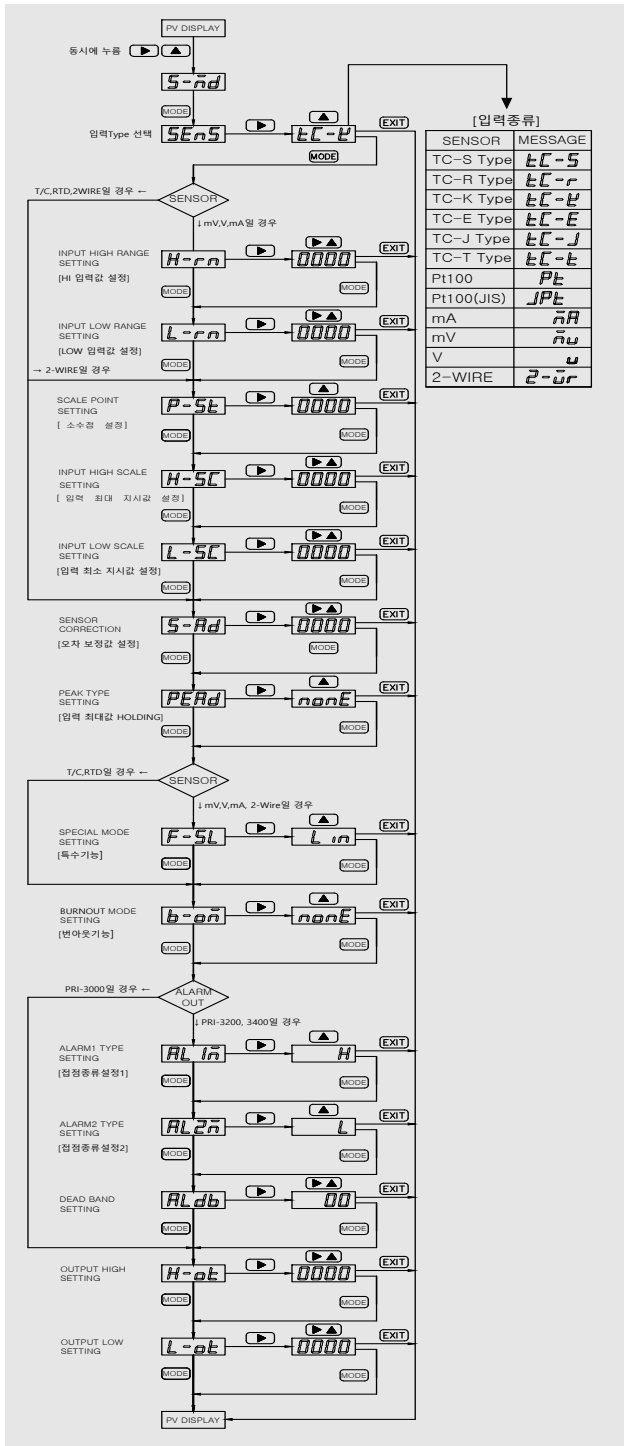
Input	Range of input and scale	MIN Span	Message
T/C	R (PR 13%)	0~1750°C	εC-r
	K (CA)	-200~1350°C	εC-ε
	E (CRC)	-200.0~700.0°C	εC-E
	J (IC)	-200.0~800.0°C	εC-J
	T (CC)	-200.0~400.0°C	εC-t
RTD	Pt100Ω (DIN)	-200.0~800.0°C	Pt
	JPt100Ω	-200.0~500.0°C	JPt
mA	-20~20.0mA (-9999~9999)		āā
mV	-50.0~50.0mV (-9999~9999)		āu
V	-10.00~10.00V (-9999~9999)		ū
2-Wire	4~20mA (-9999~9999)		2ūr

INDICATOR PRI-3000 SERIES

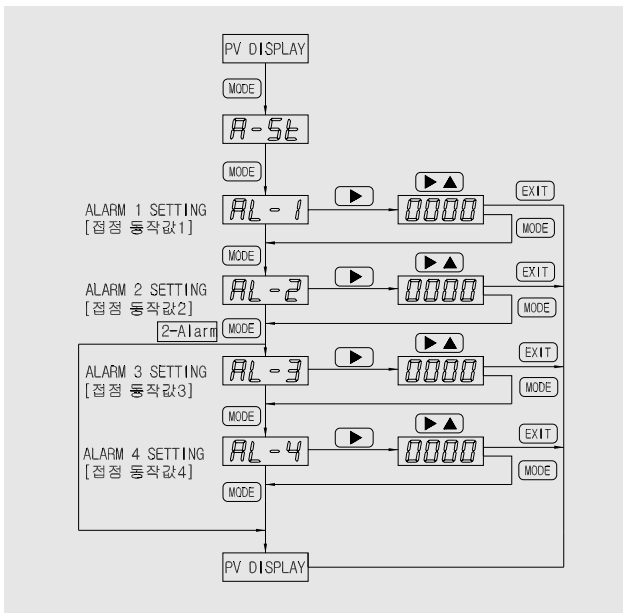
CONNECTION EXAMPLE



Program Setting



PROGRAM CHART



DIMENSIONS (Unit : mm)

