

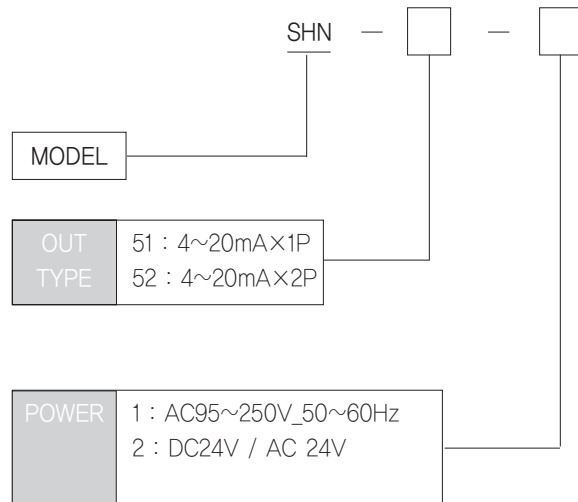
PROGRAMABLE CONVERTER

SHN-500



- Universal input mode (mA, mV, V, T/C, RTD)
- It is realized hi effectiveness and hi accuracy use by 16bit AD converter.
- It is contains peak hold function so possible to use various application.
- contain burnout function that give high output and display warning message when sensor line was disconnected by accident or other reasons.

MODEL & SUFFIX CODE SELECTION



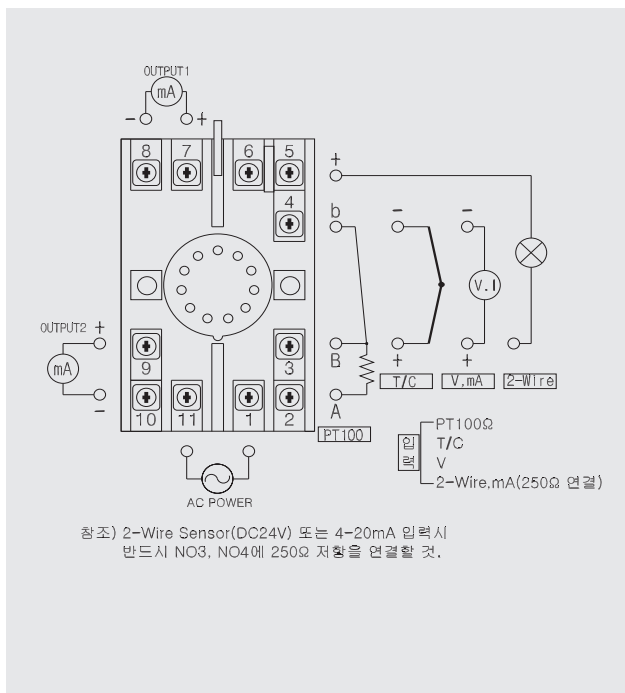
GENERAL SPECIFICATIONS

Power Supply	DC 24V Type AC 24V Type AC Type		
Display Accuracy / Response Time	-999~9999, 7Segment 4 Digit ±0.2% Full Scale, ±1 Digit (25°C±5°C) / less than 2.5sec (0~90%)		
Input Impedance	V Type PT100 Ω, T/C Type	400K Ω 1M Ω	
Sampling cycle	V Type Pt100 Ω, T/C Type	200ms 400ms	
CMRR(Common Mode Rejection Ratio)	140dB or more		
NMRR(Normal Mode Rejection Ratio)	50dB or more		
Sensor Power	DC 24V / 30mA (±5% or less)		
Temp Coefficient	±0.015% / °C		
Insulation Resistance	Greater then 100M Ω with DC500V		
Dielectric Strength	Input - Power Output - Power GND - Power	AC2000V AC1000V	1 minute
Operating Temperature / Humidity Storage Temperature / Humidity Dimensions Case Material Weight Mounting	-20~60°C / 90% (N.C) -20~80°C / 95% (N.C) 11Pin: W50 × H85 × D133(mm) ABS Reson (black) about 400g Wall & Rail mounting		

MULTI RANGE INPUT Free input selection by code

Input		MIN Span	Message
T/C	R (PR 13%)	0~1750°C	tC-r
	K (CA)	-200~1350°C	tC-k
	E (CRC)	-200.0~700.0°C	tC-e
	J (IC)	-200.0~800.0°C	tC-j
	T (CC)	-200.0~400.0°C	tC-t
	S	0~1750°C	300.0°C
RTD	Pt100 Q (DIN)	-200.0~800.0°C	Pt
	JPt100 Q	-200.0~500.0°C	JPt
mA	0~20.0mA(-999~9999)		nA
mV	-50.0~50.0mV(-999~9999)		nu
V	-10.00~10.00V(-999~9999)		u
2-Wire	4~20mA(-999~9999)		2ur

CONNECTION EXAMPLE



설정방법

