

# P-IPS



## FEATURE

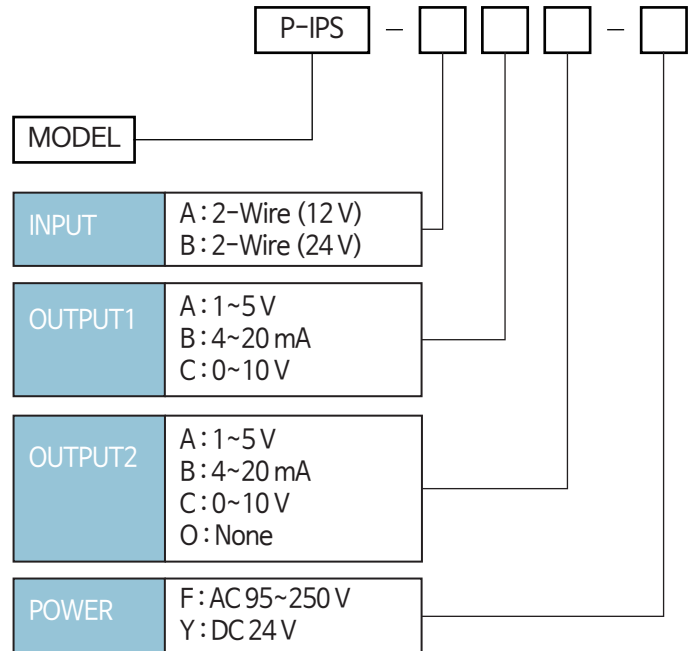
P-IPS is used to supply power to 2-wire current loop system transmitter and receives DC signal and provides isolated DC signal.

- Various 2-wire transmitter
- Isolation between control room and field instrumentation.
- 1 or 2 outputs are available from 1 input.
- It can be installed by choosing between wall mount and DIN rail mount
- Slim wide 18mm

## SPECIFICATION

Isolation / Type	Input to output to power / Transformer isolation type
Power Supply	AC 95 ~ 250V (50~60Hz) / DC 24V
Accuracy	± 0.10% (Max)
Linearity	± 0.02% (Full Scale)
Temperature Coefficient	± 0.015% / °C
Insulation Resistance	Greater than 100MΩ with DC 500V
Front Adjustments	Zero and Span ±5%
Response Time	≤ 0.5 sec (0~90%)
Overrange Output	approx. -10% ~ 110% at DC 1~5V
Operating Temperature/Humidity	-10 ~ 60°C / 90% (N.C)
Storage Temperature/Humidity	-20 ~ 80°C / 95% (N.C)
Dimensions	W18 x H100 x 112 (mm)
Case Material	ABS Resin (Blue) / Flame Retardant
Weight	120g
Mounting	Wall & Rail Mounting

## MODEL CODE SELECTION



INPUT & OUTPUT SPECIFICATIONS

Input Impedance

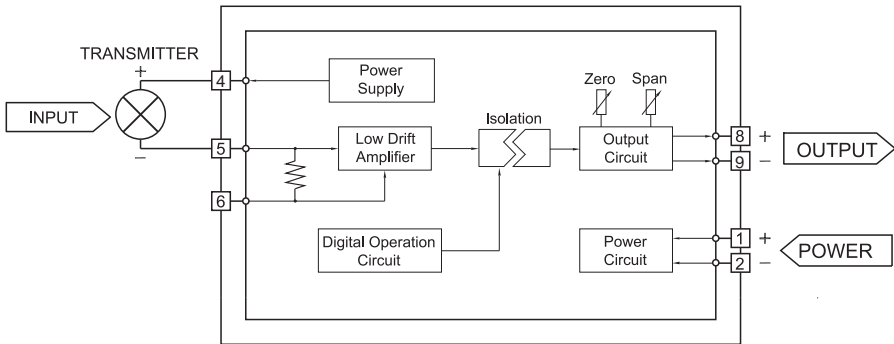
Specification	Report
Supply Range	24V ~ 26V (with no load)
Current Range	22mA (Max)
Current Limiter	30mA (Max)
Input Impedance	250Ω

Output Load Resistance

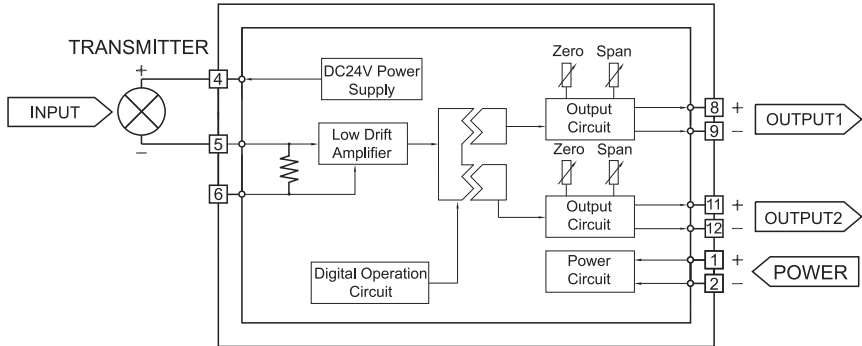
Output	1 Point	2 Point		Remark
	Output	Output-1	Output-2	
4 ~ 20mA	700Ω	600Ω	350Ω	(Max)
0 ~ 20mA	700Ω	600Ω	350Ω	(Max)
1 ~ 5V	5000Ω	5000Ω	5000Ω	(Min)

BLOCK DIAGRAM

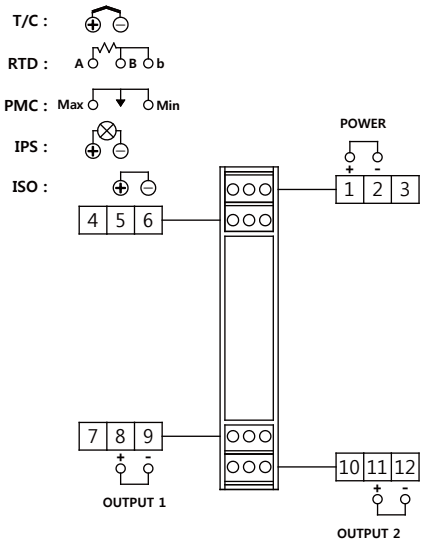
1 Point Output



2 Point Output



Connection Diagram



Dimensions

