

IP 66



- Enclosures made of PA glass fiber reinforced polyamide
- The cover screws and all other external metal parts are made of stainless steel (AISI 316L)
- Equipped with terminals up to 6mm²
- Pillar (mantle) terminals

CONSTRUCTION

Enclosure: PA glass fiber reinforced polyamide, color - black
 Cover: PA glass fiber reinforced polyamide with integrated thermoplastic elastomer gasket, closes with four M5 stainless steel screws.

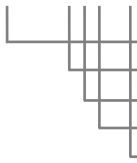
TECHNICAL DATA

Certificate:	FIDI 19 ATEX 0002X EAC RU C-HR.HB07.B.00280/20		
Marking:	0722		
Apparatus category:	II 2GD II 1G		
Marking of explosion protection:	Ex eb IIC T6 Gb Ex ia/ib IIC T6 Gb Ex ia IIC T6 Ga Ex tb IIIC T80°C Db		
Ambient temperature:	$-30^{\circ}\text{C} \leq T_a \leq +55^{\circ}\text{C}$ $-30^{\circ}\text{C} \leq T_a \leq +70^{\circ}\text{C}$, for Ex i $T_a \geq -40^{\circ}\text{C}$ – on request with specially designed cable glands		
Degree of protection:	IP 66		
Resistance to shock:	IK 08		
Protection class :	I (protective earthing)		
Rated voltage:	630 V		
Maximum voltage for Ex i:	60 V		
Maximum current of terminals :	22 A	$T_a \leq 40^{\circ}\text{C}$	RK 01/744, RK 01/544 RK 01/544-E RK 01/744-E
	18 A	$T_a \leq 50^{\circ}\text{C}$	
	14 A	$T_a \leq 55^{\circ}\text{C}$	
	20 A	$T_a \leq 40^{\circ}\text{C}$	RK 01/514 RK 01/514-2
	16 A	$T_a \leq 50^{\circ}\text{C}$	
	13 A	$T_a \leq 55^{\circ}\text{C}$	
25 A	$T_a \leq 40^{\circ}\text{C}$	RK 01/516	
20 A	$T_a \leq 50^{\circ}\text{C}$		
16 A	$T_a \leq 55^{\circ}\text{C}$		
10A	$T_a \leq 55^{\circ}\text{C}$	RK 01/1014	
PE terminals (inside of the enclosure):	max. 2x4 mm ² +2x2,5 mm ² , 3x4 mm ² , 2x6 mm ²		
Weight:	0,55 kg		
Packing:	The packing contains: 14 pcs 435x260x220 mm		

MOUNTING

With two screws through the housing holes $\phi 6$ mm at the peaks the rectangle: 100 x 75 mm

RK 01 / - . .



- Basic type code
- Number of connecting terminals
- Maximum number of cables with nominal cross section per connection point
- Nominal cable cross section
- Additional type code:
 - Ex i – intrinsic safety version
 - E – type with internal metal plate for armoured cable earthing
 - 2 – multiple connection terminal block with 3 connection points

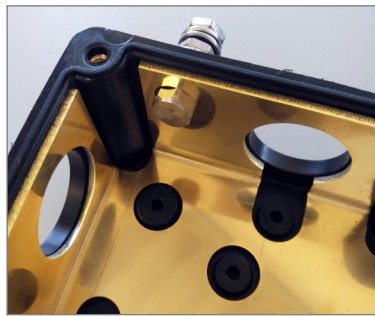
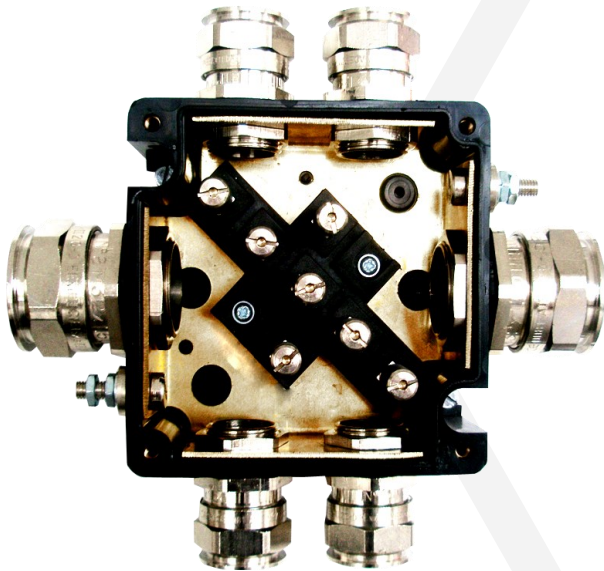
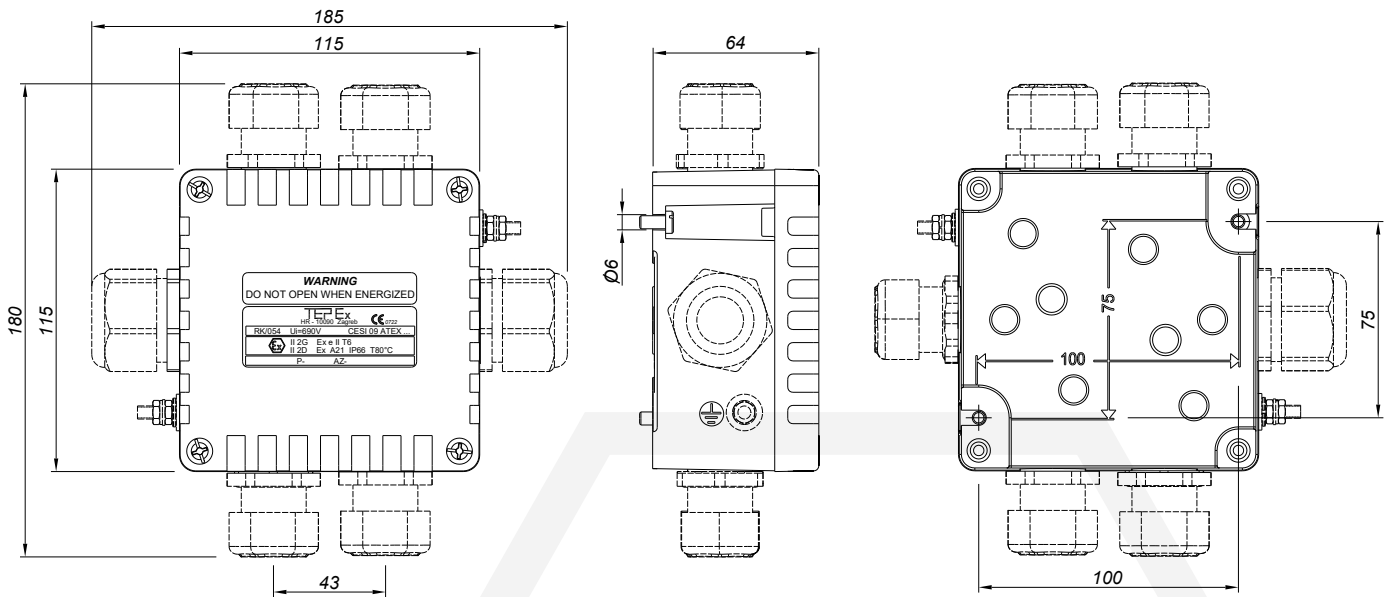
MODEL CODE

Other configuration available on request

TYPE	VERSION	CABLE GLANDS AND PLUGS	NUMBER OF TERMINALS AND TERMINAL CROSS SECTION	MAX. POSSIBLE CONNECTION PER CONNECTION POINT solid, stranded, flexible
RK 01/514			5 - 1x 4mm ²	
RK 01/514-2		4 x SPU 25 cable glands for cable Ø _v 7-15 mm and T _a ≥-30°C	5 - 1x 4mm ²	
		or		
RK 01/514-Ex i		4 x cable gland for armoured for cable Ø _v 13-21 mm and T _a ≥-40°C	5 - 1x 4mm ²	1 x 0,5...4mm ²
		or		2 x 0,5...2,5mm ²
RK 01/516		4 x cable glands for cable Ø _v 10-14 mm and T _a ≥-40°C	5 - 1x 6mm ²	
		or		
RK 01/1014		4 x cable glands for cable Ø _v 13-18 mm and T _a ≥-40°C	10 - 1x 4mm ²	
		+		
RK 01/1014-Ex i		2 x SPC 25 plugs for T _a ≥-40°C	10 - 1x 4mm ²	
RK 01/544			5 - 4x 4mm ²	
RK 01/744		6 x SPU 25 cable glands for cable Ø _v 7-15 mm and T _a ≥-30°C or 6 x cable glands for cable Ø _v 10-14 mm and T _a ≥-40°C or 6 x cable glands for cable Ø _v 13-18 mm and T _a ≥-40°C	7 - 4x 4mm ²	4 x 4mm ² 6 x 2,5mm ² 1 x 4mm ² + 2 x 2,5mm ² + 3 x 1,5mm ²
RK 01/544-E		4 x cable gland for armoured cable for cable Ø _v 13-21 mm and T _a ≥-40°C	5 - 4x 4mm ²	1 x 4mm ² + 5 x 1,5mm ² 2 x 4mm ² + 3 x 2,5 mm ²
		+		
RK 01/744-E		2 x SPC 25 plugs for T _a ≥-40°C	7 - 4x 4mm ²	

All technical data is relevant at the time of print.

DIMENSION DRAWING (mm)



RK 01/744-E (internal metal plate)

Standard terminal block

Terminal with three connection points (type RK 01/514-2)

