

# SEA Series



SEALR



SEAL

## PRODUCT SPECIFICATION

SEALR | SEAL | SEAS | SEA

**Materials** Lens-Tempered glass, filter-PC, Housing-Al, Protection cage-ST316L, Reflector-PC, Reflector-Heat resistant ABS

**Ambient operating temperature**

- 20°C ≤ Tamb ≤ +60°C(TS)
- 40°C ≤ Tamb ≤ +55°C(KCs)
- 40°C ≤ Tamb ≤ +60°C

**Explosion protection rating**

- IECEX - Ex db IIC T6 Gb, IP66
- ATEX - II2G Ex db IIC T6 Gb, IP66
- KCs - Ex d IIC T6 IP66
- NEPSI, CCC - Ex db IIC T6 Gb
- TS - Ex db IIC T6 IP66 Gb(SEAL)

**Certificates** IECEX, ATEX, NEPSI, CCC, KCs, CCS, TS

**Housing standard color** MUNSELL No. 7.5BG 7/2

**Cable Entry** 1/2" NPT

- Large explosion proof warning/ signal lights with excellent visibility for long distance
- A variety of light source selections from bulb, LED, and xenon lamp
- Fully enclosed structure with protection rating of IP66
- Integrated housing and terminal box model

### SEALR LED Revolving Warning Light

| Model number | Voltage | Current | Certificates | Weight | Color                 |
|--------------|---------|---------|--------------|--------|-----------------------|
| SEALR        | DC24V   | 0.127A  |              | 5.33kg | ● R-Red               |
|              | AC110V  | 0.035A  |              | 5.74kg | ● A-Amber             |
|              | AC220V  | 0.017A  |              | 5.74kg | ● G-Green<br>● B-Blue |

- Excellent omni-directional visibility with LED light collecting system and special multifaceted reflector
- Revolving speed: 120-140RPM

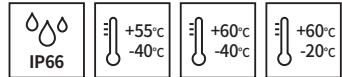
### SEAL LED Steady/Flashing Signal Light

| Model number | Voltage | Current | Certificates | Weight | Color                 |
|--------------|---------|---------|--------------|--------|-----------------------|
| SEAL         | DC24V   | 0.165A  |              | 4.87kg | ● R-Red               |
|              | AC110V  | 0.045A  |              | 5.25kg | ● A-Amber             |
|              | AC220V  | 0.025A  |              | 5.25kg | ● G-Green<br>● B-Blue |

- Long-lasting high intensity LED light source
- Suitable for applications where bulb replacement is difficult
- Built-in steady/flashing selection switch
- Flashing rate: 60-80 flashes/min

### Customization

- Explosion proof cable gland attached type available (Standard type does not come with explosion proof cable gland)
- 2 ways cable entry
- Customized cable entry (3/4" NPT, M20×1.5, M25×1.5) available



## SEAS Xenon Lamp Strobe Signal Light

| Model number | Voltage | Current | Bulb          |                             |          | Certificates | Weight | Color     |
|--------------|---------|---------|---------------|-----------------------------|----------|--------------|--------|-----------|
|              |         |         | Spec          | Standard                    | Parts no |              |        |           |
| SEAS         | DC24V   | 0.615A  | 200V<br>-550V | EUB0641<br>-1A(G)<br>U type | 48       |              | 5.39kg | ● R-Red   |
|              | AC110V  | 0.135A  |               |                             |          |              | 5.35kg | ● A-Amber |
|              | AC220V  | 0.105A  |               |                             |          |              | 5.35kg | ● G-Green |

- Lamp connector fastening structure allows for convenient lamp replacement
- Excellent long-distance visibility with strong strobe signal diffusion
- Flashing rate: 60-80 flashes/min



SEAS

## SEA Bulb Revolving Warning Light

| Model number | Voltage | Current | Bulb   |          |          | Certificates | Weight | Color     |
|--------------|---------|---------|--------|----------|----------|--------------|--------|-----------|
|              |         |         | Spec   | Standard | Parts no |              |        |           |
| SEA          | DC24V   | 0.766A  | 24V15W | G23 15S  | 18       |              | 5.36kg | ● R-Red   |
|              | AC110V  | 0.204A  | 12V15W | G23 15S  | 17       |              | 5.75kg | ● A-Amber |
|              | AC220V  | 0.102A  | 12V15W | G23 15S  | 17       |              | 5.75kg | ● G-Green |

- Excellent diffusion effect with special multifaceted reflector
- Revolving speed: 120-140RPM

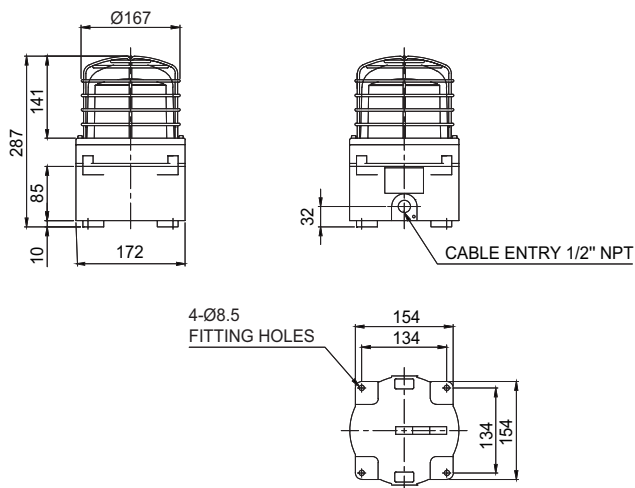


SEA

### Technical Diagram

Units: mm

· SEALR / SEAL / SEAS / SEA



### Ordering Specification

|                |   |            |   |           |   |                  |
|----------------|---|------------|---|-----------|---|------------------|
| <b>SEA</b>     | - | <b>220</b> | - | <b>R</b>  | - | <b>IECEX</b>     |
| [Model number] |   | [Voltage]  |   | [Color]   |   | [Certificates]   |
| SEALR          |   | 24-DC24V   |   | ● R-Red   |   | IECEX            |
| SEAL           |   | 110-AC110V |   | ● A-Amber |   | ATEX             |
| SEAS           |   | 220-AC220V |   | ● G-Green |   | KCs              |
| SEA            |   |            |   | ● B-Blue  |   | CCC(NEPSI)<br>TS |