

Explosion Proof Warning/ Signal Light and Max 118dB Electric Horn Combinations

SESA Series

Explosion proof warning light and electric horn combinations with sound output of Max 118dB



SESALR

PRODUCT SPECIFICATION

SESALR | SESAL
SESAS | SESA

Materials Lens-Tempered glass, filter-PC, Housing-Al, Protection cage-STSS316L, Reflector-PC, Reflector-Heat resistant ABS

Ambient operating temperature

-40°C ≤ Tamb ≤ +60°C, -40°C ≤ Tamb ≤ +55°C(KCs)
-20°C ≤ Tamb ≤ +60°C(TS)

Explosion protection rating

IECEX - Ex db IIC T6 Gb, IP66
ATEX - Ex II 2G Ex db IIC T6 Gb, IP66
NEPSI, CCC - Ex db IIC T6 Gb, Ex tb IIIC 80°C Db
KCs - Ex d IIB+H2 IP66 T6(SESAL)
Ex d IIC T6 IP66, Ex tD A21 T85°C IP66(SESAL)
TS - Ex db IIC T6 IP66 Gb(SESAL)

Certificates IECEX, ATEX, NEPSI, CCC, KCs, CCS, CCC(F), TS

Sound volume Max. 118dB at 1m(Volume adjustable)

Housing standard color MUNSELL No. 7.5BG 7/2

- Large explosion proof warning light and electric horn combinations
- A variety of light sources and sound selections to fit your sophisticated application needs
- Fully enclosed structure with protection rating of IP66
- Integrated housing and terminal box model



SESAL

SESALR LED Revolving Warning Light & Electric Horn Combination

Model number	Voltage	Current	Sound Pattern and Volume	Certificates	Weight	Color
SESALR	DC24V	1.288A	·WS-5 Warning sounds: Max.118dB ·WP-5 Special warning sounds: Max.118dB	IECEX, ATEX	8.31kg	● R-Red
	AC110V	0.308A	·WM-5 Melodies: Max.118dB ·WA-5 Alarms: Max.116dB	NEPSI, KCs	7.92kg	● A-Amber ● G-Green
	AC220V	0.154A	·WV-5 Customizable voices: 110-115dB	CCS, CCC	7.92kg	● B-Blue

- Excellent omni-directional visibility with LED light collecting system and special multifaceted reflector
- Revolving speed: 120-140RPM

SESAL LED Steady/ Flashing Signal Light and Electric Horn Combination

Model number	Voltage	Current	Sound Pattern and Volume	Certificates	Weight	Color
SESAL	DC24V	1.222A	·WS-5 Warning sounds: Max.118dB ·WP-5 Special warning sounds: Max.118dB	IECEX, ATEX	8.42kg	● R-Red
	AC110V	0.286A	·WM-5 Melodies: Max.118dB ·WA-5 Alarms: Max.116dB	NEPSI, KCs	9.02kg	● A-Amber ● G-Green
	AC220V	0.143A	·WV-5 Customizable voices: 110-115dB	CCS, CCC	9.02kg	● B-Blue

- Long product lifetime with the application of a high intensity LED light source
- Suitable for locations where bulb replacement is inconvenient
- Flashing rate: 60-80 flashes/min(Built-in steady/flashing selection switch)

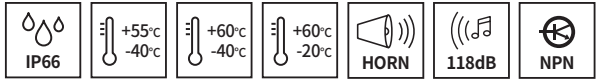
SESAS Xenon Lamp Strobe Signal Light and Electric Horn Combination

Model number	Voltage	Current	Bulb		Parts no	Sound Pattern and Volume	Certificates	Weight	Color
			Spec	Standard					
SESAS	DC24V	1.411A			48	·WS-5 Warning sounds : Max.118dB ·WP-5 Special warning sounds: Max.118dB ·WM-5 Melodies: Max.118dB ·WA-5 Alarms: Max.116dB ·WV-5 Customizable voices : 110-115dB	IECEX, ATEX	8.45kg	● R-Red
	AC110V	0.360A	200V	EUB0641		-1A(G)	NEPSI, KCs	8.86kg	● A-Amber ● G-Green
	AC220V	0.220A	-550V	U type			CCS, CCC	8.86kg	● B-Blue

- Lamp connector fastening structure allows for convenient lamp replacement
- Excellent long-distance visibility with strong strobe signal diffusion
- Flashing rate: 60-80 flashes/min

※ Max. built-in volume feature is based on WS/WP-Ch1/WM-Ch5/WA-Ch5.

※ In case of customized WV 5 tone type, there may be difference of volume depending on user's audio file type.



SESA Bulb Revolving Warning light and Electric Horn Combination

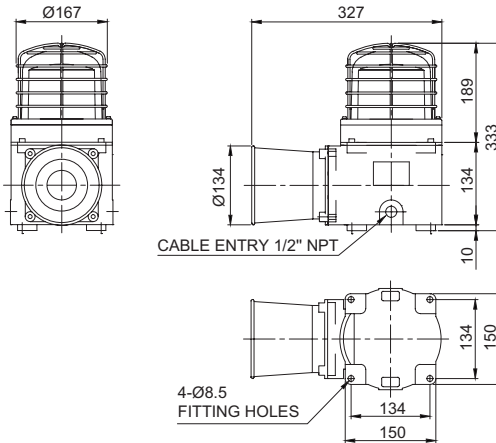
Model number	Voltage	Current	Bulb		Parts no	Sound Pattern and Volume	Certificates	Weight	Color
			Spec	Standard					
	DC24V	1.788A	24V15W	G23 15S	18	·WS-5 Warning sounds : Max.118dB		8.57kg	● R-Red
SESAS	AC110V	0.422A	12V15W	G23 15S	17	·WP-5 Special warning sounds: Max.118dB ·WM-5 Melodies : Max.118dB		9.27kg	● A-Amber ● G-Green
	AC220V	0.211A	12V15W	G23 15S	17	·WA-5 Alarms: Max.116dB ·WV-5 Customizable voices : 110-115dB		9.27kg	● B-Blue

- Excellent diffusion effect with special multifaceted reflector
- Revolving speed: 120-140RPM

Technical Diagram

Units: mm

·SESALR / SESAL / SESAS / SESA



SESA

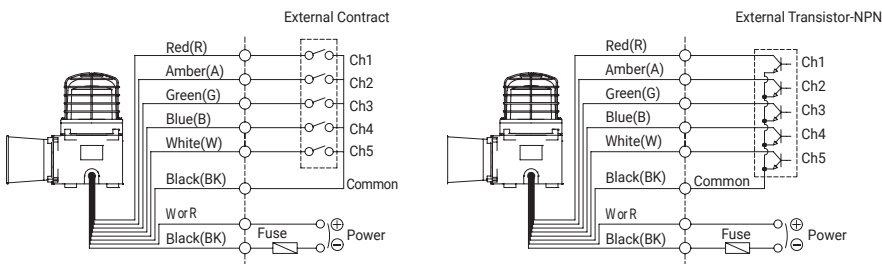


SESAS

Sound Selection Instructions and Wiring

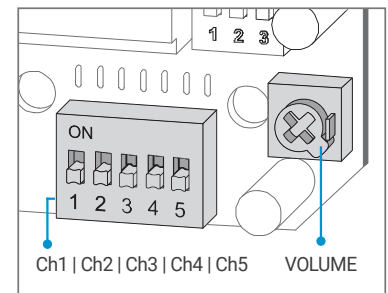
- Customization: External contact(LC)
Customization of signal line threading can be choice between external contact and transistor which can be fit for control unit.

·SESALR / SESAL / SESAS / SESA-DC/AC



- SESA, SESALR - Black output line is negative(-).

- Standard Type: Select sound using the switch inside of the unit. When you turn on the dip switch for each channel, the designated sound will be played.



Ordering Specification

SESAS	-	WS	-	220	-	R	-	IECEx
[Model number]		[Sound]		[Voltage]		[Color]		[Certificates]
SESALR		WS-Warning sounds		24-DC24V		● R-Red		IECEx
SESAL		WP-Special warning sounds		110-AC110V		● A-Amber		ATEX
SESAS		WM-Melodies		220-AC220V		● G-Green		KCs
SESA		WA-Alarms				● B-Blue		CCC(NEPSI)
		WV-Customizable voices						TS

Customization

- Explosion proof cable gland attached type available (Standard type does not come with explosion proof cable gland)
- 2 ways cable entry
- Customized cable entry (3/4" NPT, M20×1.5, M25×1.5) available