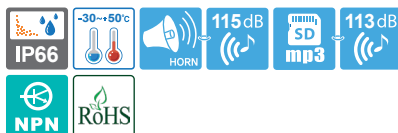


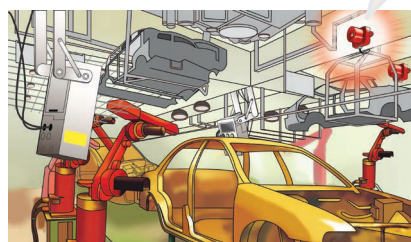
QWCD series



- Qlight's exclusive innovative design - the horn cover emits light!
- Combination of 31 sound options built in and SD Card(MP3) option



QWCD35 series



QWCD35 model applied in an automobile production plant environment.

LED Strobe Signal Light and Electric Horn Combinations

Common Specifications(QWCD35/ QWCD35SD/ QWCD50/ QWCD50SD)

- Easy device customization with built in sound selection function, volume adjustment function and an SD Card slot for user inputted tones
- 31 available tones that can be selected for a variety of environments
- The user can select their own tones by inputting the MP3 file directly into the SD Card
- 31 pre-recorded tones available via binary input
- Suitable for use in environments that require a tight seal and superior dust protection rated IP66
- Easy wiring through external terminal box (QWCD35T, QWCD35TSD, QWCD50T, QWCD50TSD)
- Flashing rate : 60-80 flashes/min
- Materials : Horn-PC, Body-PC+ABS
- Ambient operating temperature : -50°C to +60°C(Standard type)
-20°C to +50°C(SD Card type)
- Protection Rating : IP66
- Certificates : CE Compliant, UL Listed, CCS
- Compliant with RoHS directive

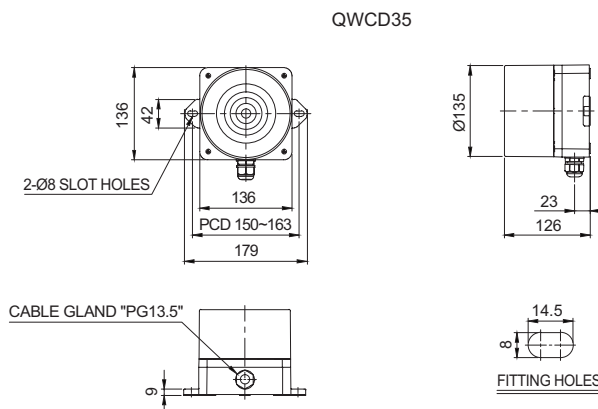
QWCD35 LED Strobe Signal Light and Electric Horn Combination

Model number	Voltage	Current	Sound Pattern and Volume	Certificates	Weight	Color
QWCD35 Built-in standard sound	DC12V-24V	Max. 1.300A	• Bit Input : 5Ch (SD Card) • Binary Input : 31Ch	 DC only	1.10kg	• R-Red • A-Amber • G-Green • B-Blue
	AC110V-220V	Max. 0.350A				
QWCD35SD MP3	DC12V-24V	Max. 1.200A	• Warning Sounds: 115dB • MP3 Messages : 113dB	 DC only	1.15kg	• R-Red • A-Amber • G-Green • B-Blue
	AC110V-220V	Max. 0.310A				

- ※ DC type model has a free-voltage range of 10V-30V.
- ※ AC type model has a free-voltage range of 100V-240V.

Technical Diagram

(Units : mm)



QWCD50 LED Strobe Light and Electric Horn Combination

Model number	Voltage	Current	Sound Pattern and Volume	Certificates	Weight	Color
QWCD50 Built-in standard sound	DC12V-24V	Max. 4.700A	• Bit Input : 5Ch (SD Card) • Binary Input : 31Ch	 DC only	2.70kg	• R-Red • A-Amber • G-Green • B-Blue
	AC110V-220V	Max. 0.800A				
QWCD50SD MP3	DC12V-24V	Max. 3.300A	• Warning Sounds: 123dB • MP3 Messages : 118dB	 DC only	3.00kg	• R-Red • A-Amber • G-Green • B-Blue
	AC110V-220V	Max. 0.650A				

- ※ DC type model has a free-voltage range of 10V-30V.
- ※ AC type model has a free-voltage range of 100V-240V.