

# PLFS 50 LED

LED

IP 66

IK08

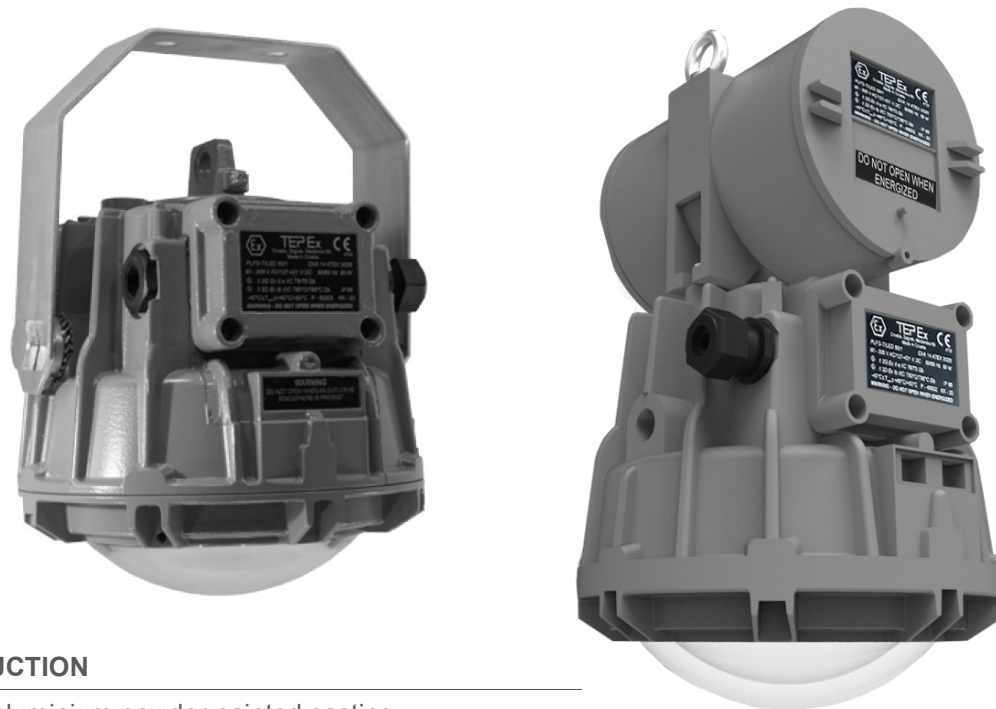
T<sub>a</sub>  
-40 +50

ATEX

EAC

- Highest efficiency with luminous efficacy up to 170lm/W
- High colour rendering index CRI 80
- Estimated service life 70 000 hours
- With OVP, OCP, OTP protection
- Autonomous reactivation after recovery

new  
LED  
more lm/W



## CONSTRUCTION

Housing: aluminium powder painted casting

Diffuser: borosilicate glass,

Accessories: protected galvanized steel gird, assembly kit for wall, pipe and ceiling mounting

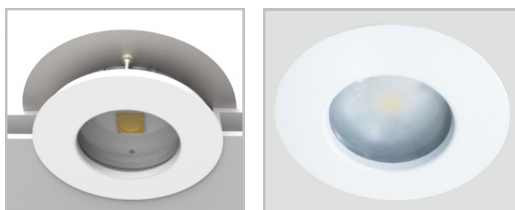
Gasket: silicon

## TECHNICAL DATA

<b>Certificate:</b>	EXA 14 ATEX 0028 EAC RU C-HR.AB24.B.03244
<b>Marking:</b>	CE 0722
<b>Apparatus category:</b>	II 2G II 2D
<b>Marking of explosion protection:</b>	Ex d e IIC T6/T5 Gb Ex tb IIIC T80°C/T85°C Db
<b>Ambient temperature ATEX:</b> <b>EAC:</b>	-40°C ≤ T <sub>a</sub> ≤ +40°C / +50°C -50°C ≤ T <sub>a</sub> ≤ +50°C
<b>Degree of protection:</b>	IP 66 category 1
<b>Resistance to shock:</b>	IK 08
<b>Protection class :</b>	I (protective earthing)
<b>Rated voltage:</b>	90 - 305 V AC 127 - 431 V DC
<b>Frequency:</b>	50Hz / 60Hz
<b>Rated power:</b>	35W, 50W, 60W, 80W
<b>Connecting terminals:</b>	L1, L2, L3, N; max. 2 x 2,5 mm <sup>2</sup> PE terminal ; max 2x6mm <sup>2</sup> External PA terminal -PA; max 2x6mm <sup>2</sup>
<b>Cable entry:</b>	2x M25 (1x M25 Ex e cable gland for cable 7-15mm, 1x Exe M25 plug)
<b>Weight:</b>	6,8kg (PLFS 50 LED-4 - 11kg)
<b>Packing:</b>	The packing contains: 2 pcs 560 x 270 x 270 mm

## MOUNTING

Pendant, on pipe, wall, ceiling, recessed (*clean room LED light fitting*)

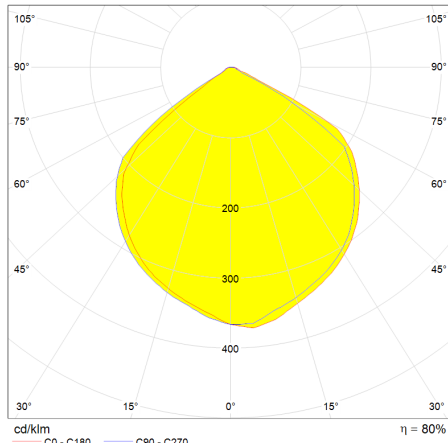


# Pendant LED light fitting

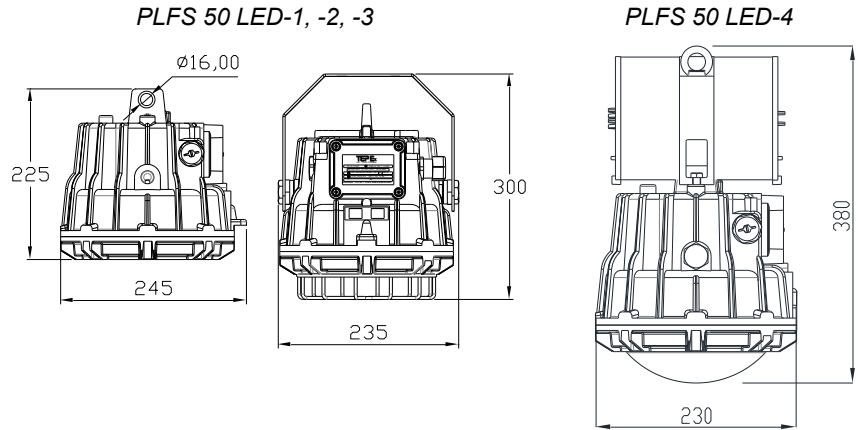
## MODEL CODE

MODEL CODE	LED power [W]	VOLTAGE [V]	LUMINOUS FLUX [lm]	LIGHT OUTPUT RATIO $\eta$	AMBIENT TEMP.
PLFS 50 LED-1	35 W	90-305 V AC 127-431 V DC	5950	0,80	-40°C ÷ +50°C
PLFS 50 LED-2	50 W		8500		
PLFS 50 LED-3	60 W		10 200		40°C ÷ +40°C
PLFS 50 LED-4	80 W		13 600		

## POLAR CURVE



## DIMENSION DRAWING



## SPARE PARTS AND ACCESSORIES

SKETCH	DESCRIPTION	CODE	SKETCH	DESCRIPTION	CODE
	Replacement glass PLFS LED	PLFS LED 10-120		PLFS-T fixing bracket for tube R 1 1/2"	PLFS 20-120
	Wire guard PLFS LED	PLFS LED 10-130		PLFS-T mounting bracket (ceiling and wall mounting)	PLFS 20-130

## Example of equivalent "traditional" light sources with Ex LED

LED		HME (mercury))		HIE (metal halide)		QT (halogen) / A	
 PLFS 50 LED-1 35W 170 lm/W	 PLFS-T 125 125W 50 lm/W	 PLFS-T 100 100W 80 lm/W	 PLFS-T 200 230W QT 18 lm/W				
 PLFS 50 LED-3 60W 170 lm/W	 PLFL 250 HME 250W 52 lm/W	 PLFS-T 150 HIE 150W 80 lm/W	 PLFL 500 500W A 15 lm/W				
 PLFS 50 LED-4 80W 170 lm/W	 PLFL 400 HME 400W 50 lm/W	 PLFL 250 HIE 250W 80 lm/W					

The given information is for rough orientation only. In each individual case a lighting calculation is necessary.

All technical data is relevant at the time of print.