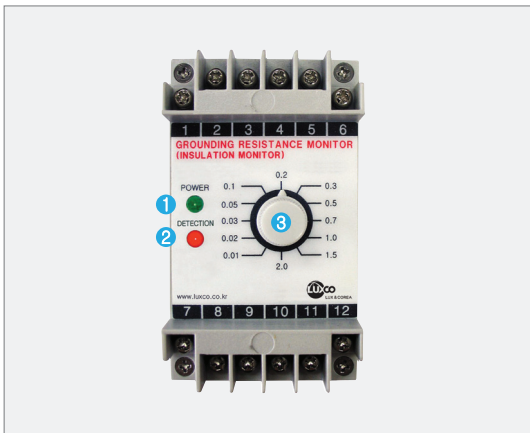


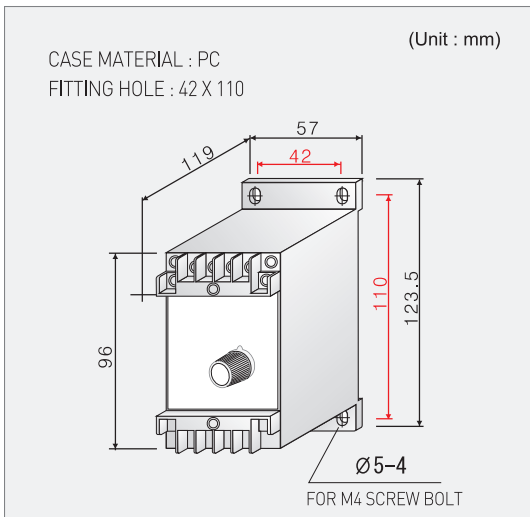


FRONT VIEW

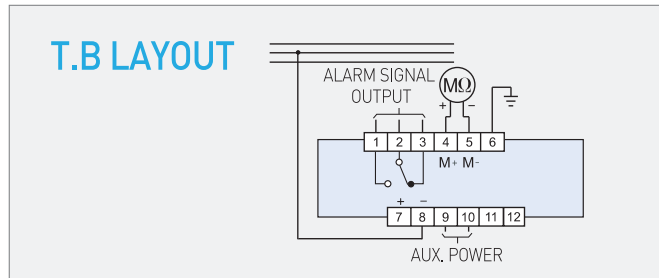


- ① Power indicating lamp (Green)
- ② Alarm indicating lamp (Red)
- ③ Alarm setting (MQ)

DIMENSION



T.B LAYOUT



SPECIFICATIONS (LOW INSULATION SPEC')

MODEL	ISA690A1	ISA690A2	ISA690A4
AUX. POWER RATING	AC 110V 50/60Hz	AC 220V 50/60Hz	AC 440V 50/60Hz
RANGE OF POWER VARIATION	AC 85-135V	AC 170-270V	AC 395-485V
MAX. POWER CONSUMPTION	5VA		
INSULATION MONITORING RANGE	∞ - 5 - 0.2 - 0.05 - 0MQ (R2 : ∞ - 50 - 0MQ)		
INSULATION VOLTAGE RANGE	AC 1P / 3 Phase 0 ~ 690V (max.)		
DETECTOR ACCURACY	±5% (0.1 ~ 2MQ) ±10% (under 0.05MQ, 2MQ above)		
ALARM SETTING RANGE	0.01 ~ 2.0MQ (select by 12 steps selector switch) (R2 : 0.01 ~ 5.0MQ)		
ALARM DELAY TIME	3.0sec. (±0.5sec.) Reset time : 0.5sec. or less		
ALARM SIGNAL OUTPUT	5A (resistive) 2A (inductive) 30V DC 5A (resistive) 2A (inductive p.f=0.4) 125V AC 3A (resistive) 1A (inductive p.f=0.4) 250V AC		
AMBIENT TEMP.	-20°C ~ +60°C		
STORAGE TEMP.	-40°C ~ +65°C		
DIELECTRIC STRENGTH	Between terminal to cabinet 2.5KV / 1min Between 9, 10 to 6, 8 terminal 1.5KV / 1min		
METER	Refer to page 45		

CONNECTION DIAGRAM

